

# INSTRUCTION SHEET

# 503978 Replacement Heater Element

**WARNING:** For safety reasons, disconnect electrical service to dryer before servicing. Never energize the electrical power to dryer with any of the panels removed.

0

All Electrical Models:

1. **Disconnect electrical power to dryer.** Remove dryer front panel. Refer to service manual. Remove screws holding heating element and plate to heater box. Pull element down and away from heater box. Save the screws for reassembly.
2. Remove orange and black wires from failed heating element that attach dryer to element (dryer harness).
3. Install replacement element according to instructions below. Be sure to follow instructions and illustrations for your part number listed below and then proceed to Step 4.
4. Install element to heater box by screws removed in disassembly.
5. Verify wire terminals and wire nuts, where required, are securely tightened and wires are positioned away from element, cylinder roller, and cylinder.
6. Connect electrical power to dryer and operate dryer to verify proper operation.

If failed element is Part Number 61195, 61513, 61514, 61515, or 61516 (similar to Fig. 3):

- a. Remove and discard the orange and black wires that have wire nuts attached.
- b. Connect dryer orange wire to (thermal) fuse as in Fig. 3
- c. Connect dryer black wire to (limit) thermostat as in Fig. 3
- d. Reinstall heating element using steps 4–7 above.

**FOR OLDER MODELS:** See additional Illustrations on Back and follow instructions below:

If failed element is Part Number 56047, 56176, 56179, 56557, 58480, or 57537 (similar to Figure 1 on back):

- a. Cut the ring terminal off black wire and strip insulation off wire end to 1/2" exposed wire.
- b. Remove wire nut from replacement heater black wire.
- c. Connect dryer harness black wire and replacement heater black wire using wire nut (see Fig. 2)
- d. Remove and discard the replacement heater orange wire that has the wire nut attached.
- e. Connect dryer harness orange wire to replacement element (thermal) fuse (see Fig. 2)
- f. Reinstall heating element using steps 4–7 above.

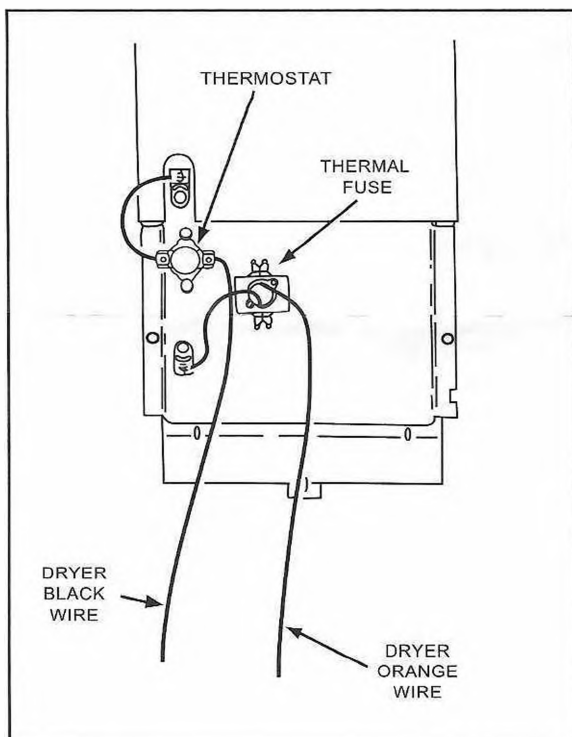


Figure 3

**For All Canadian Electric Models:**

If failed element is Part Number 56047, 56176, or 56179 (similar to Fig. 4 on back):

- a. Cut the ring terminal off both black and orange wires. Strip insulation off wire ends to 1/2" exposed wire.
- b. Remove wire nuts from replacement heater element wires.
- c. Connect dryer harness black wire and replacement heater black wire using wire nut (see Fig. 5)
- d. Connect dryer harness orange wire to replacement heater orange wire using wire nut (see Fig. 5).
- e. Reinstall heating element using steps 4–7 above.

If failed element is Part Number 61195, or 61513 (similar to Figure 6 on back):

- a. Remove and discard the replacement heater orange and black wires that have wire nuts attached to them.
- b. Connect dryer orange wire to replacement heater element (thermal) fuse (see Fig 3)
- c. Connect dryer black wire to replacement heater element (limit) thermostat (see Fig 3)
- d. Reinstall heating element using steps 4–7 above.

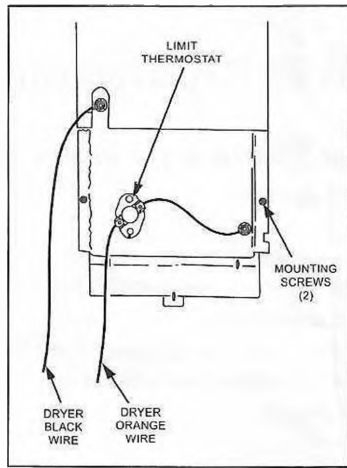


Figure 1

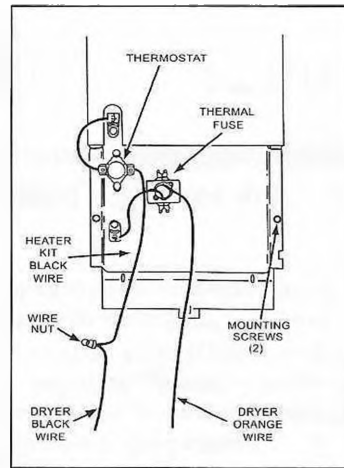


Figure 2

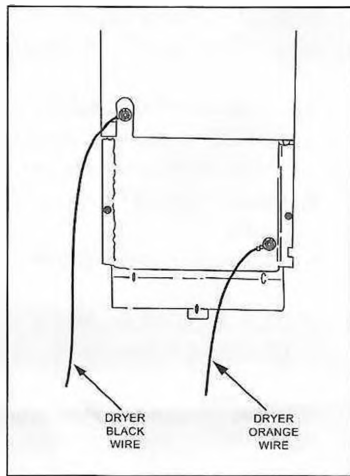


Figure 4

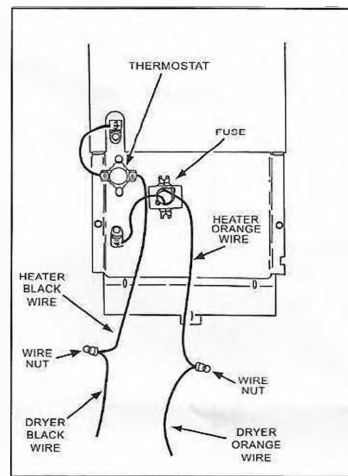


Figure 5

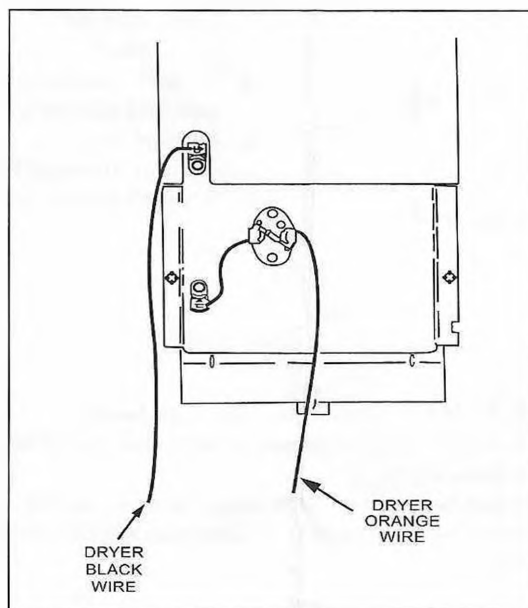


Figure 6